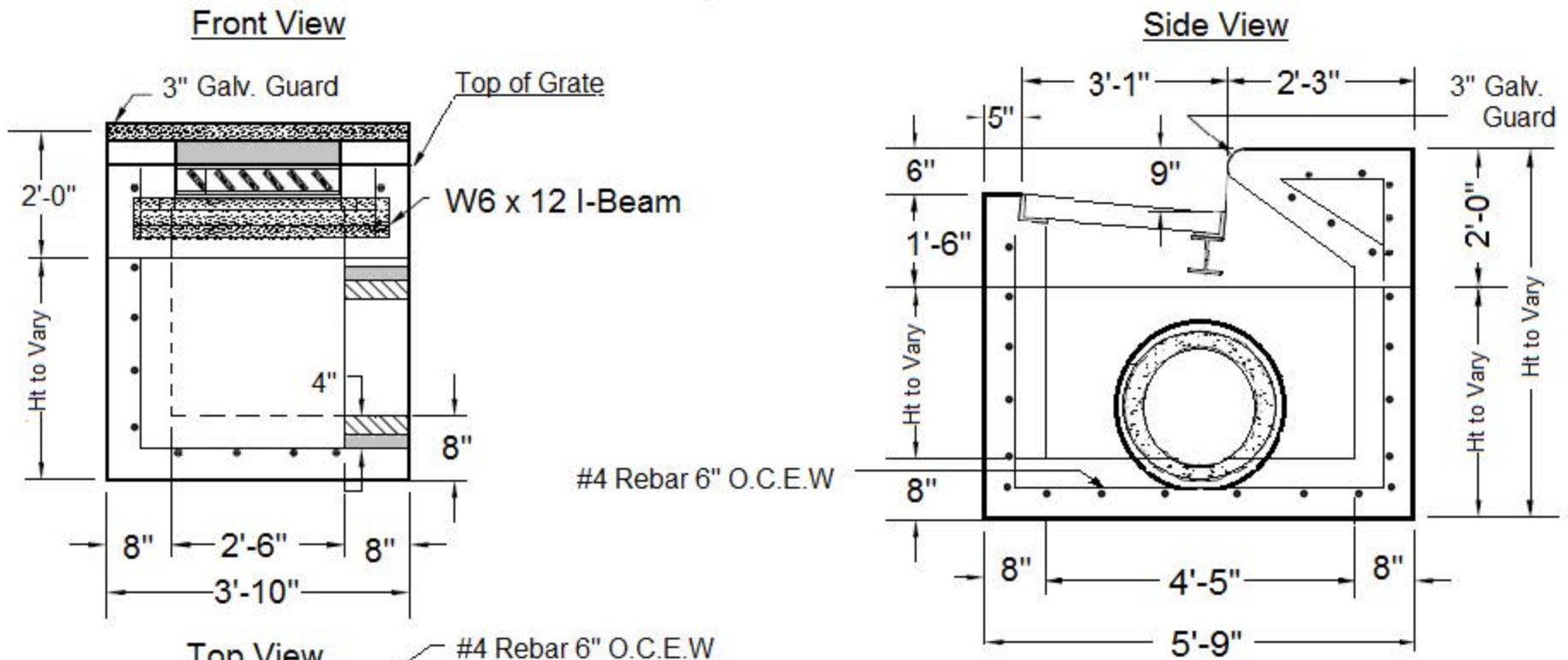




Type I One Grate Inlet



#4 Rebar 6" O.C.E.W

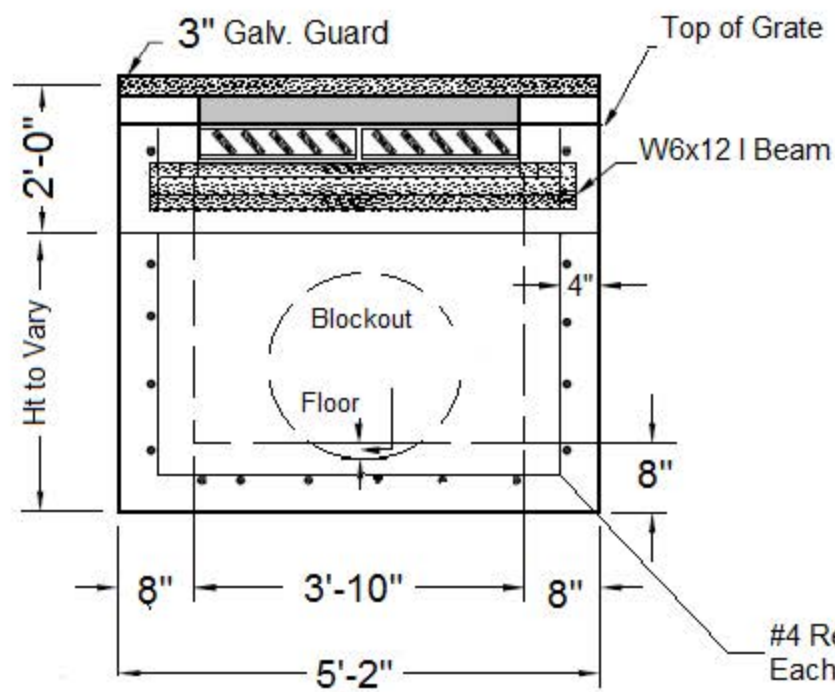
Specifications:

1. Concrete to have 5000 PSI at 28 Days.
2. Steel reinforcement: ASTM A-615, Grade 60
3. Load design for H-20 Rating.

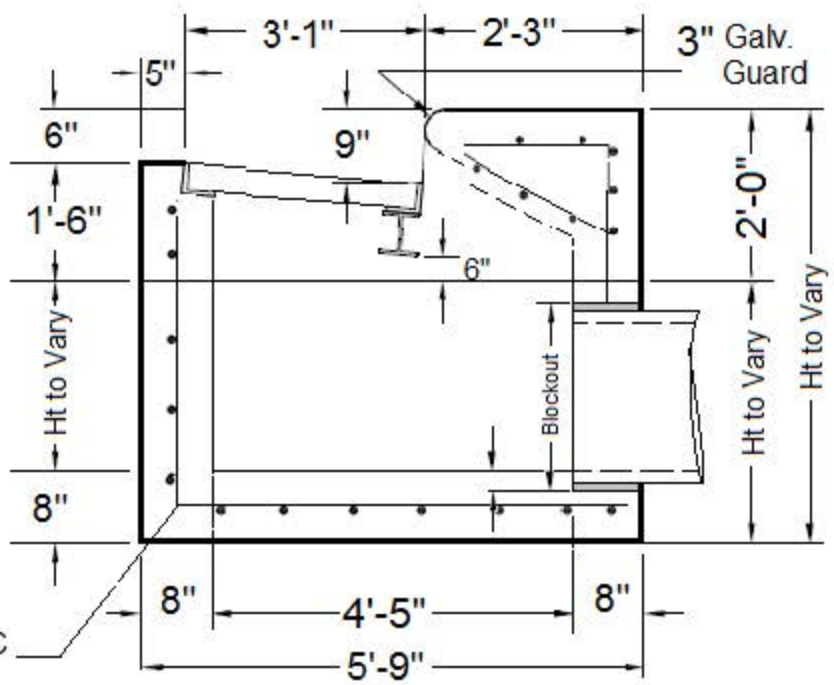
 	
HA PRECAST Inc. 140 W Castellano Dr. El Paso, Texas	
Type I 1 GR Curb Inlet	Date: 03/17/2018
Project:	
HA PRECAST Inc Manufacturer	

Type I 2 Grate Curb Inlet

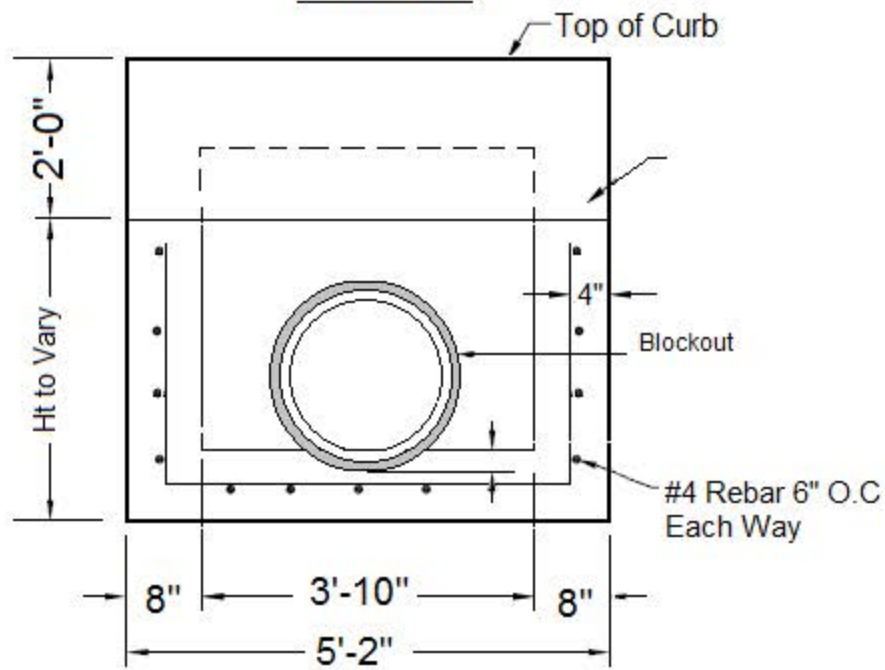
Front View



Side View



Back View



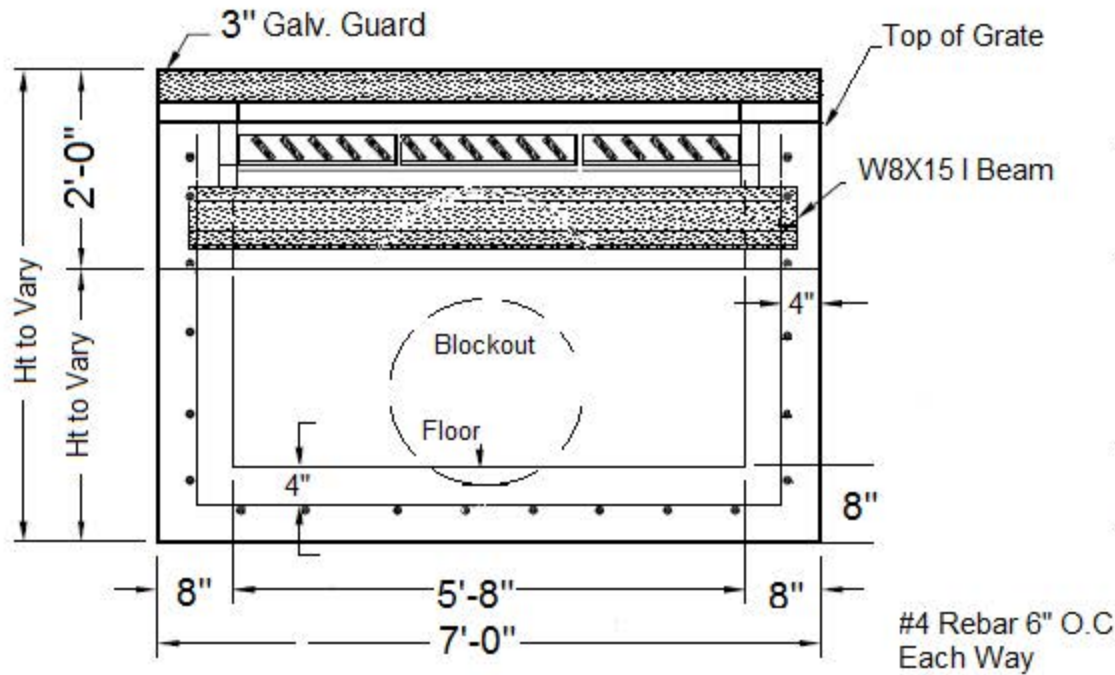
Specifications:

1. Concrete to have 5000 PSI at 28 Days.
2. Steel reinforcement: ASTM A-615, Grade 60
3. Load design for H-20 Rating.

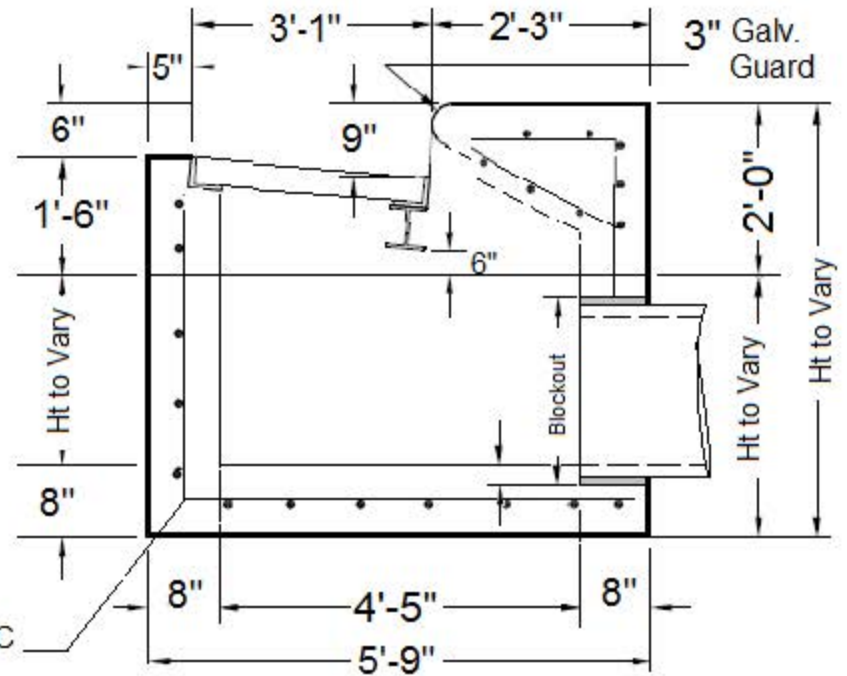
 	
HA PRECAST Inc. 140 W Castellano Dr. El Paso, Texas	
Type I 2 GR Curb Inlet	Date: 03/17/2018
Project:	
HA PRECAST Inc. Manufacturer	

Type I 3 Grate Curb Inlet

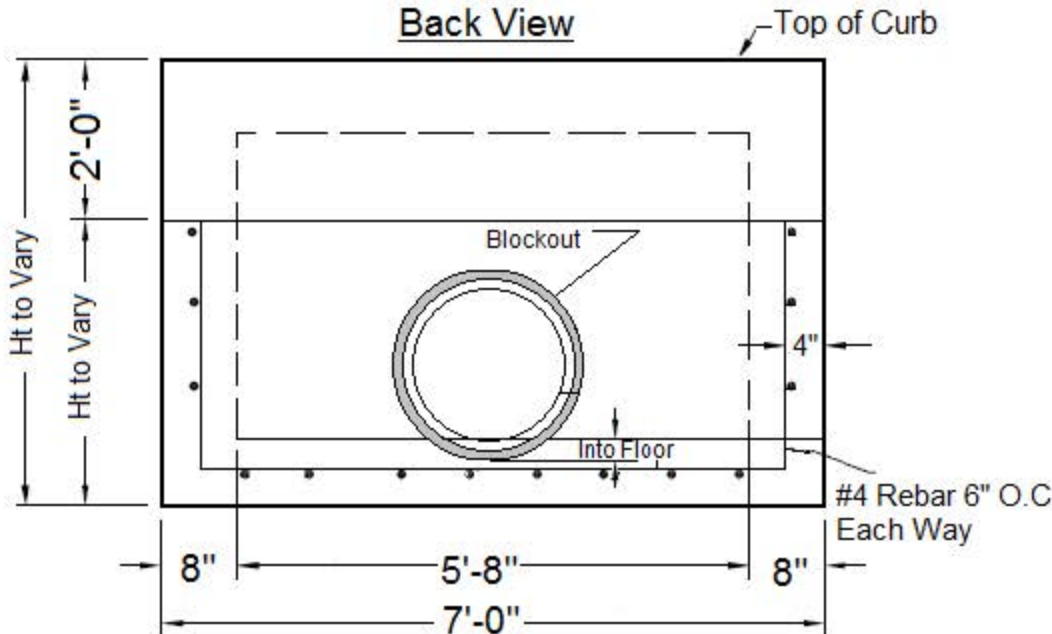
Front View



Side View





Back View

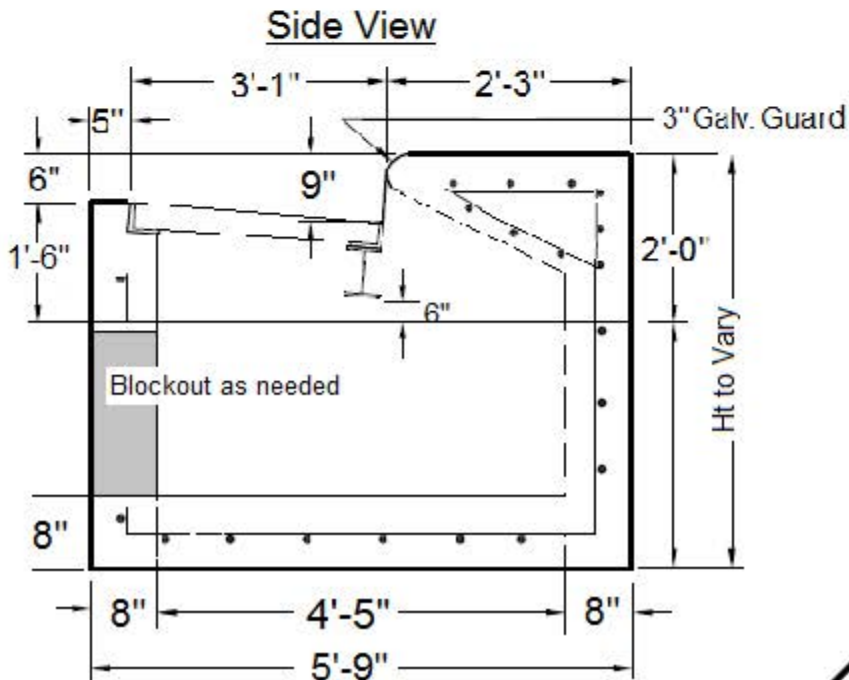
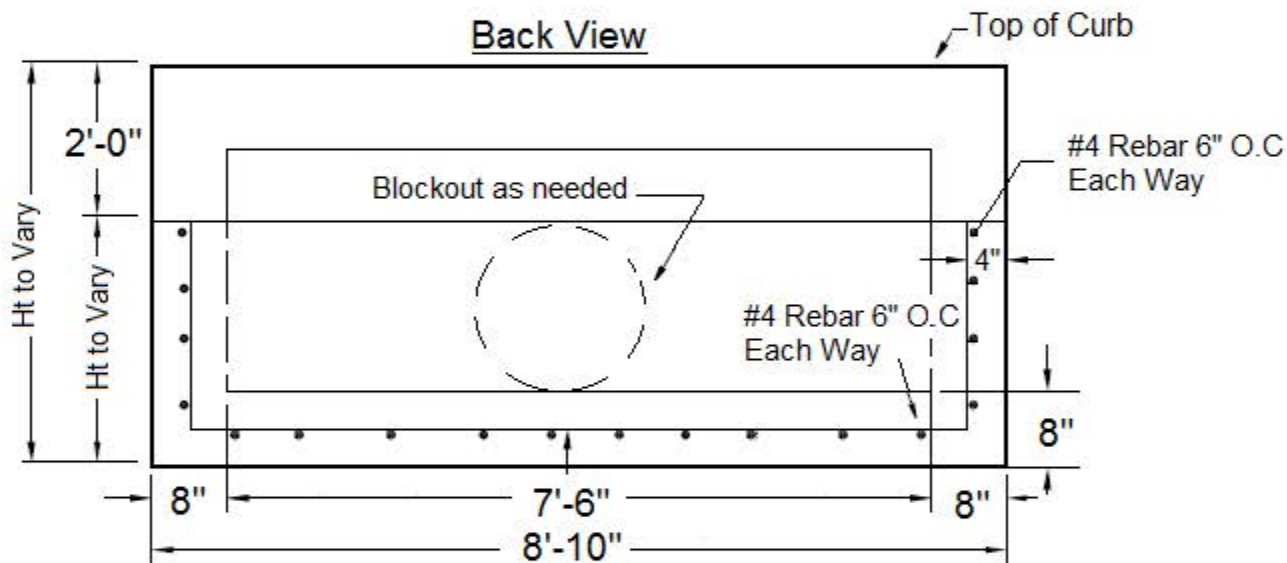
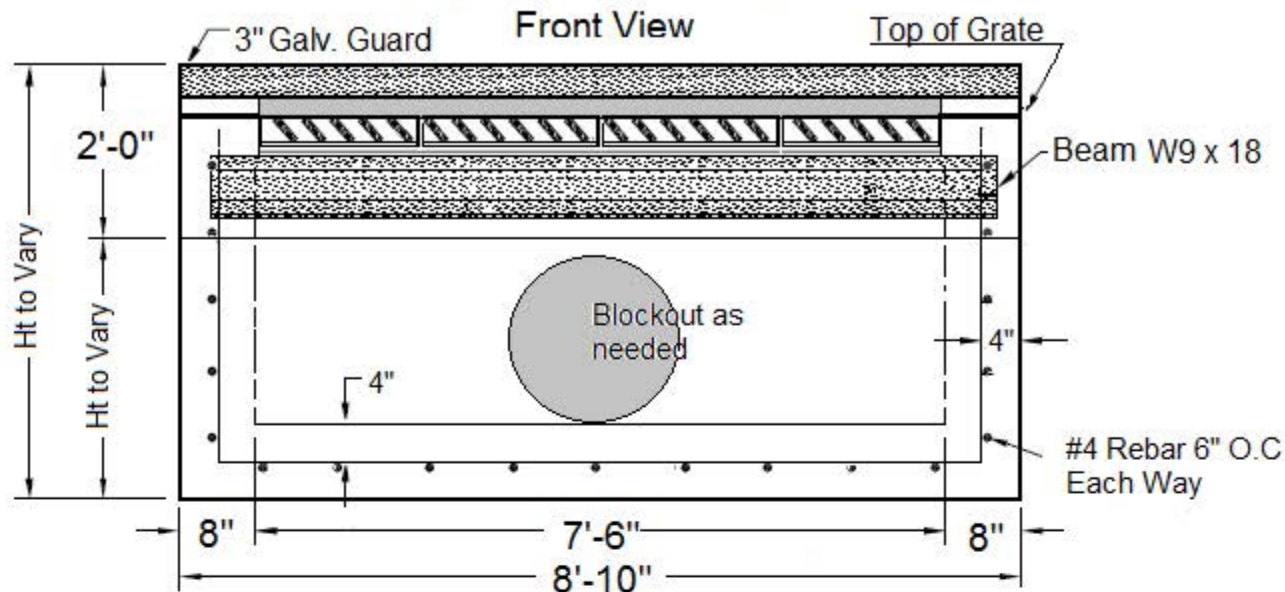


Specifications:

1. Concrete to have 5000 PSI at 28 Days.
2. Steel reinforcement: ASTM A-615, Grade 60
3. Load design for H-20 Rating.

 	
HA PRECAST Inc. 140 W Castellano Dr. El Paso, Texas	
Type I 3 GR Curb Inlet	Date: 03/17/2018
Project:	
HA PRECAST Inc Manufacturer	

Type I 4 Grate Curb Inlet



Specifications:

1. Concrete to have 5000 PSI at 28 Days.
2. Steel reinforcement: ASTM A-615, Grade 60
3. Load design for H-20 Rating.



HA PRECAST Inc.
140 W Castellano Dr. El Paso, Texas



Type I 4 GR Curb Inlet

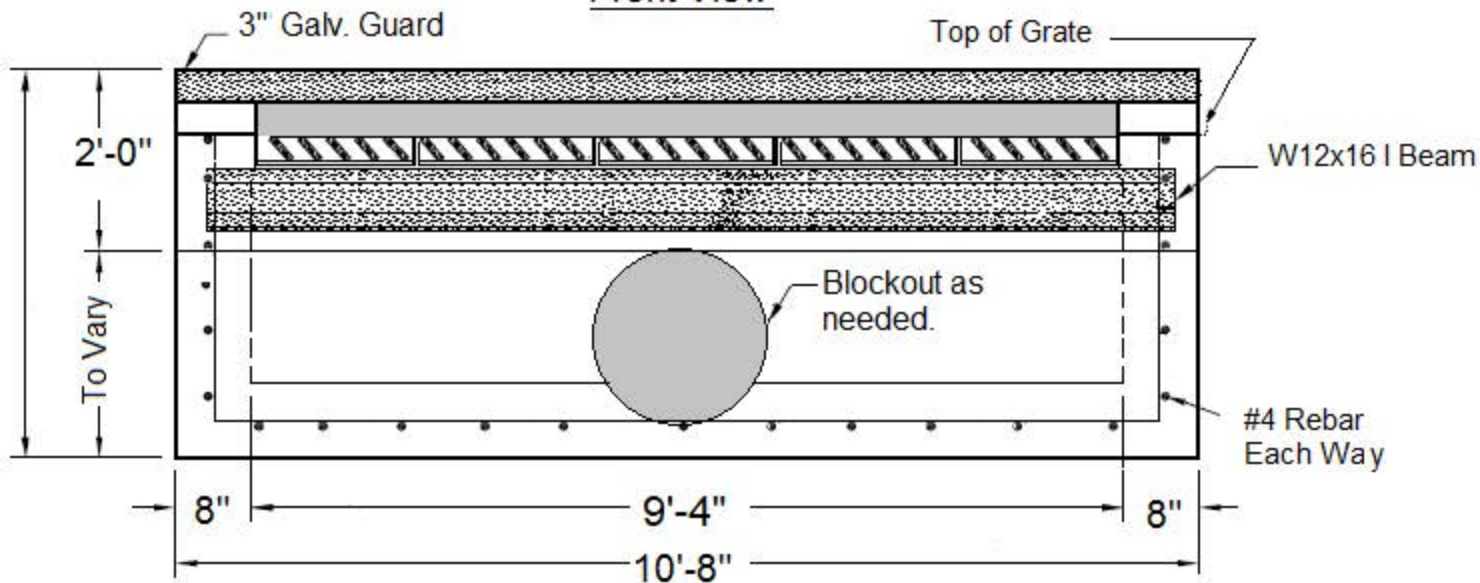
Date:
03/17/2018

Project:

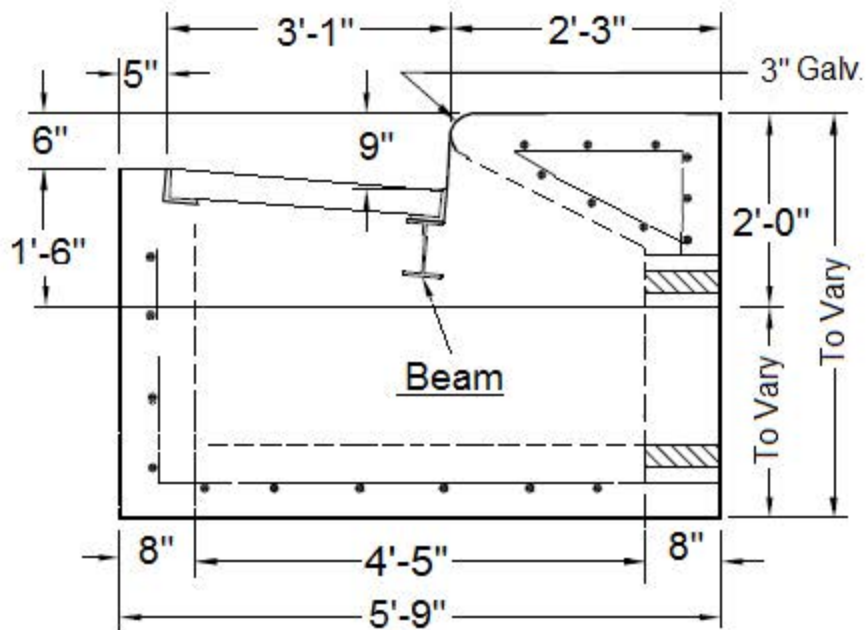
HA PRECAST Inc.
Manufacturer

Type I 5 Grate Curb Inlet

Front View



Side View



Specifications:

1. Concrete to have 5000 PSI at 28 Days.
2. Steel reinforcement: ASTM A-615, Grade 60
3. Load design for H-20 Rating.



HA PRECAST Inc.
140 W Castellano Dr. El Paso, Texas



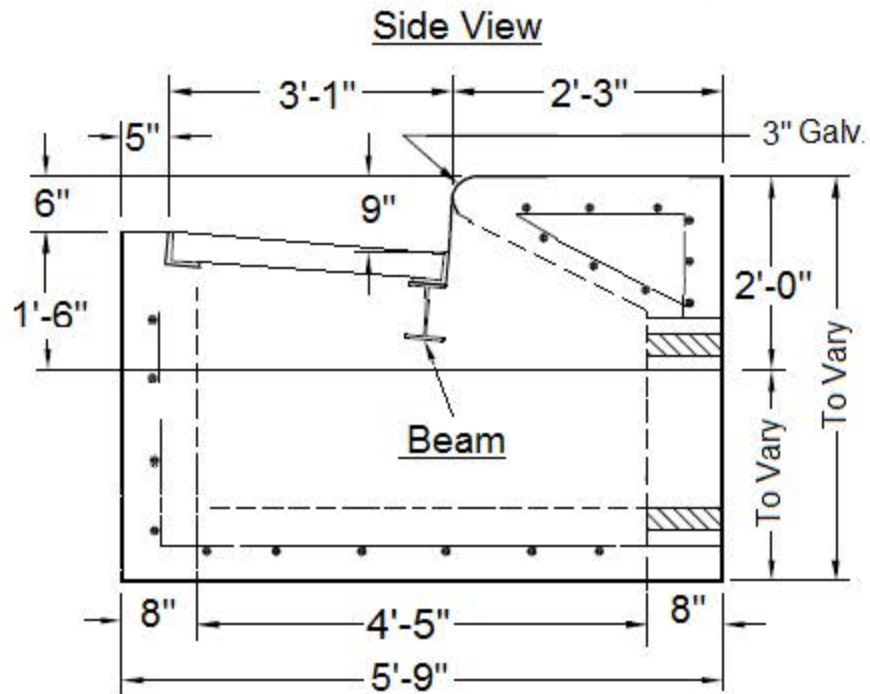
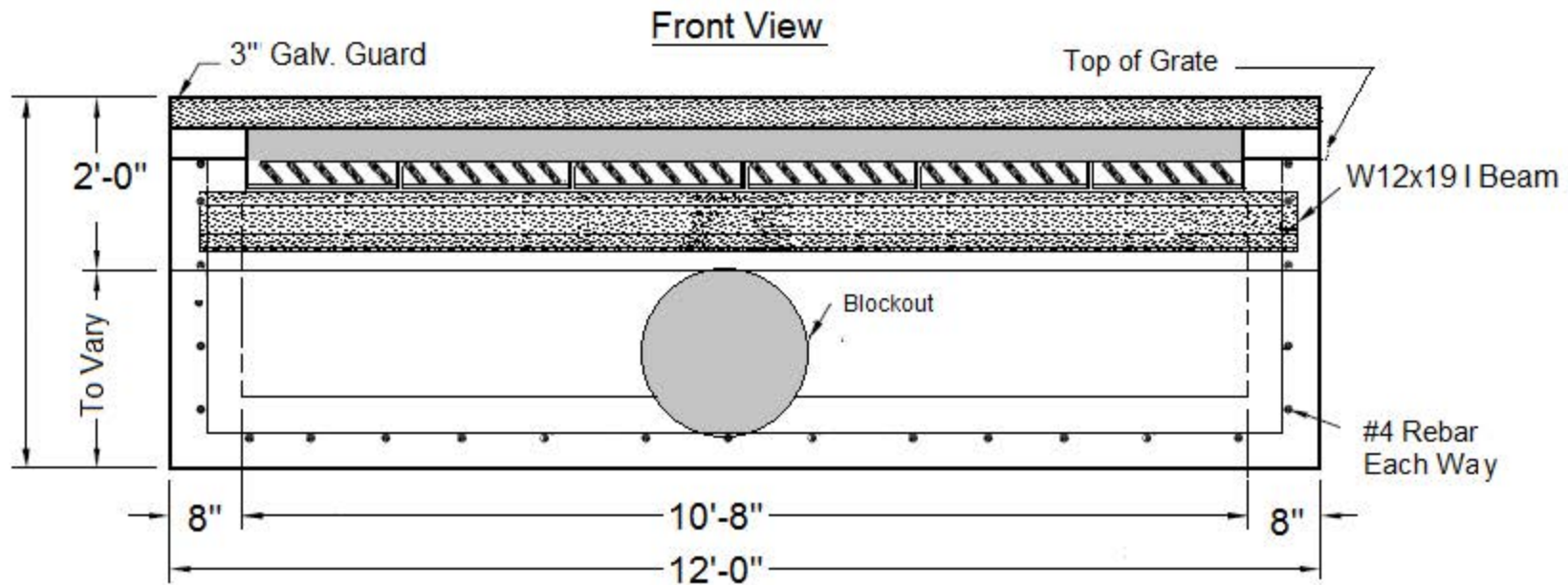
Type I 5 GR Curb Inlet

Date:
03/17/2018

Project:



HA PRECAST Inc.
Manufacturer

Type I 6 Grate Curb Inlet



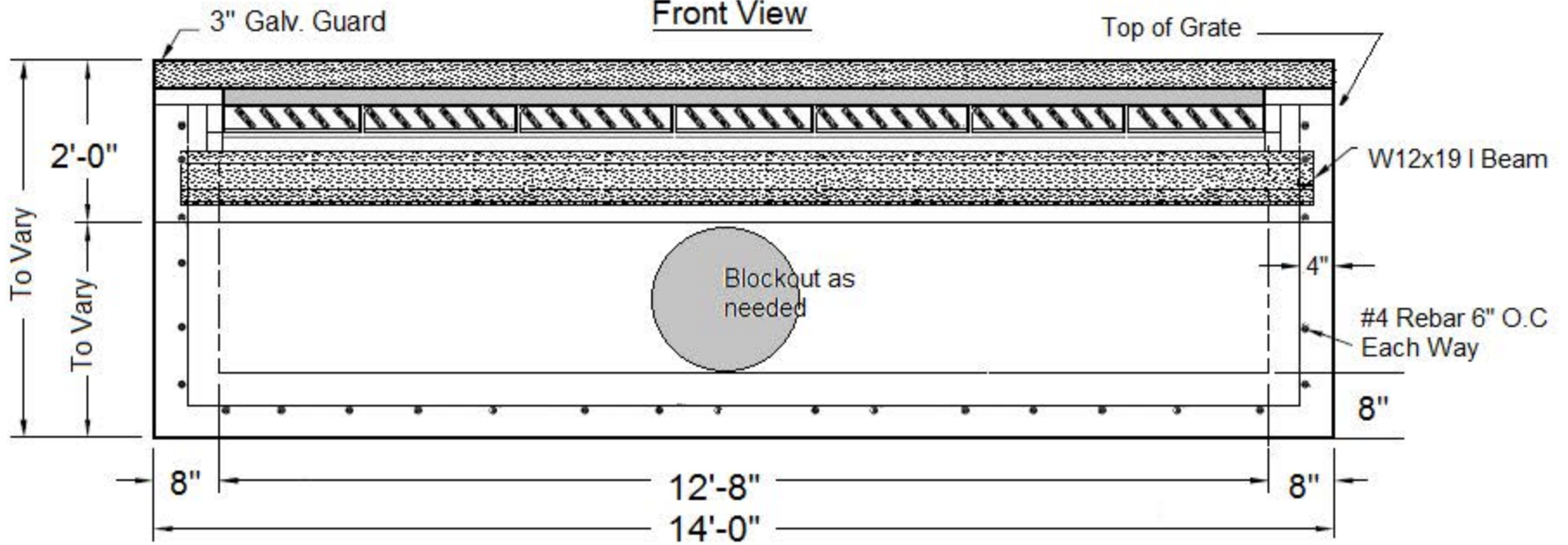
Specifications:

1. Concrete to have 5000 PSI at 28 Days.
2. Steel reinforcement: ASTM A-615, Grade 60
3. Load design for H-20 Rating.

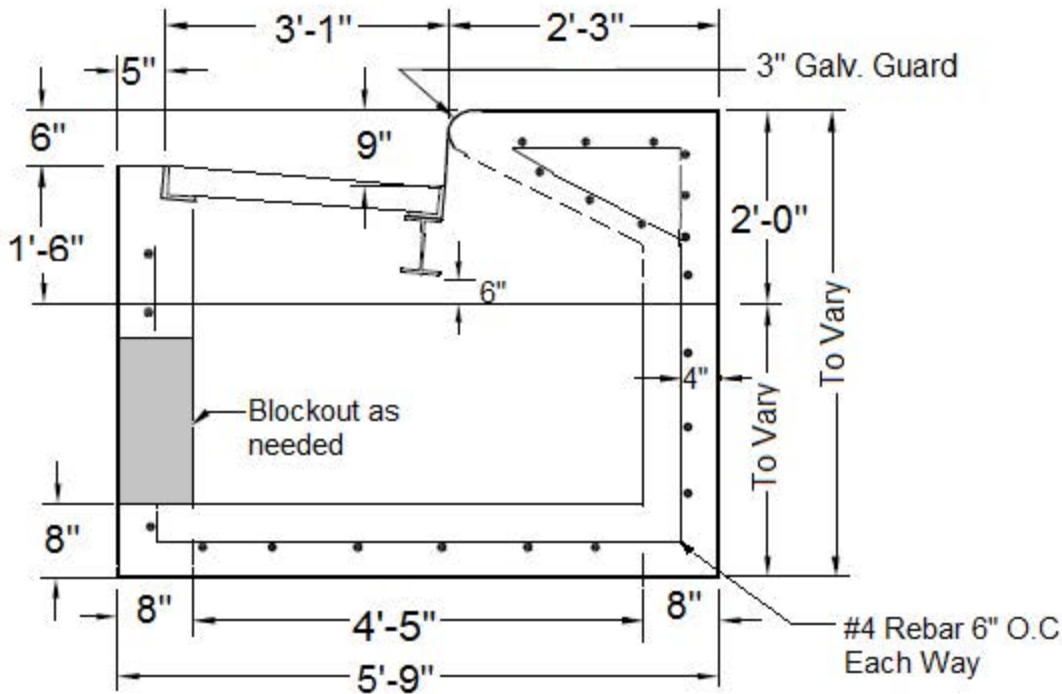
 HA PRECAST Inc. 140 W Castellano Dr. El Paso, Texas	 <small>National Precast/Prestressed Concrete Association</small>
Type I 6 GR Curb Inlet	Date: 03/17/2018
Project:	
HA PRECAST Inc. Manufacturer	

Type I 7 Grate Curb Inlet

Front View



Side View



Specifications:

1. Concrete to have 5000 PSI at 28 Days.
2. Steel reinforcement: ASTM A-615, Grade 60
3. Load design for H-20 Rating.



HA PRECAST Inc.
140 W Castellano Dr. El Paso, Texas



Type I 7 GR Inlet

Date:
03/17/2018

Project:

HA PRECAST Inc.
Manufacturer